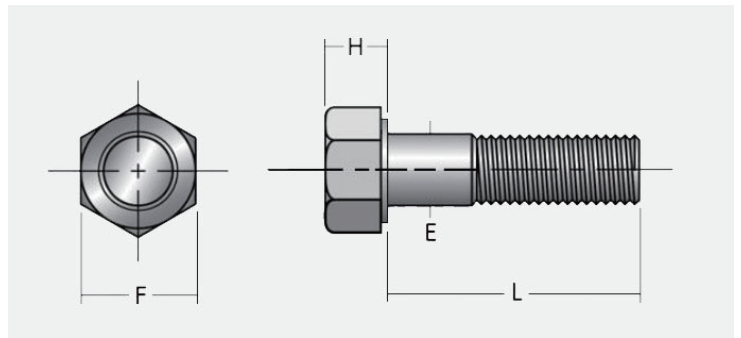


Hex Head Cap Screws 六角头螺钉



Thread Size	E		F		H	
	max	min	max	min	max	min
pitch						
1/4	0.25	0.245	0.438	0.428	0.163	0.15
5/16	0.3125	0.3065	0.5	0.489	0.211	0.195
3/8	0.375	0.369	0.562	0.551	0.243	0.226
7/16	0.4375	0.4305	0.625	0.612	0.291	0.272
1/2	0.5	0.493	0.75	0.736	0.323	0.302
9/16	0.5625	0.5545	0.812	0.798	0.371	0.348
5/8	0.625	0.617	0.938	0.922	0.403	0.378
3/4	0.75	0.741	1.125	1.1	0.483	0.455
7/8	0.875	0.866	1.312	1.285	0.563	0.531
1	1	0.99	1.5	1.469	0.627	0.591
1 1/8	1.125	1.114	1.688	1.631	0.718	0.658
1 1/4	1.25	1.239	1.875	1.812	0.813	0.749
1 1/2	1.5	1.488	2.25	2.175	0.974	0.902