



## Wedge lock washers DIN25201 双叠自锁垫圈DIN25201



### Product introduction

#### DIN25201 STANDRAD

Wedge lock washers has developed a unique security system using tension method instead of friction.DIN25201 is a norm of wedge-lock system.Wedge lock washers cam height is greater than the bolt pitch.In addition,there are radial teeth on the opposite side.The both cams are faced each other.Radial teeth are used under the bolt and the connection surface.

Wedge lock washers are tightened under the bolt and/or nut.Loosening happens too little through angle difference and wedge effect blocks.Even a very low torque when tightening the bolt connection and it creates a wedge effect which can provide to be blocked connection.

### Features

Security system uses geometrically to lock bolted connections in the most critical applications.This offers a unique wedge locking system following advantages:

- Providing maximum safety,
- Provides superior resistance to loosening due to vibration and dynamic loads,
- Ease of assembly and disassembly,
- The locking function is not affected by lubrications,
- Low and high preloads positive locking,
- Preload Control,
- The same temperature characteristics as standard nut&bolt,
- Reusability.

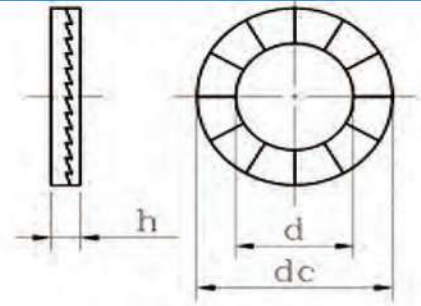
### Product application:

DIN25201 lock washer is widely used in metallurgy,national defense industry,rail transit,high-speed rail project,machinery manufacturing,electric power,new energy,petrochemical industry,auto parts,shipbuilding industry,aerospace,offshore mining equipment,industrial and construction machinery,special equipment manufacturing equipment and other industries.



## Wedge lock washers DIN25201

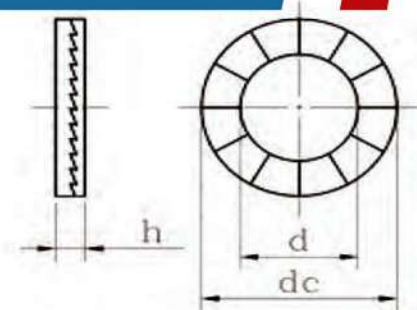
### 双叠自锁垫圈DIN25201



For soew 米制 英寸制		d (min)	d (max)	o (min)	o (max)	h pair (min)	h pair (max)	Kg/1000 pieces (CABBON STEEL)
3.00	#5	3.30	3.50	5.30	7.20	1.55	2.05	0.30
3.5	#6	3.80	4.00	7.40	7.80	1.55	2.05	0.40
3.5 SP	#6SP	3.80	4.00	8.80	9.20	1.55	2.05	0.60
4	#8	4.30	4.50	7.40	7.80	1.55	2.05	0.40
4 SP	#8	4.30	4.50	8.80	9.20	1.55	2.05	0.60
5	#10	5.30	5.50	8.80	9.20	1.55	2.05	0.50
5 SP	#10	5.30	5.50	10.60	11.00	1.55	2.05	1.10
6	—	6.40	6.60	10.60	11.00	1.55	2.05	0.70
6 SP	—	6.40	6.60	13.30	13.70	2.25	2.75	2.00
—	1/4	7.10	7.30	11.30	11.70	2.25	2.75	0.80
—	1/4SP	7.10	7.30	13.30	13.70	2.25	2.75	1.80
8	5/16	8.60	8.80	13.30	13.70	2.25	2.75	1.50
8 SP	5/16	8.60	8.80	16.40	16.80	2.25	2.75	2.80
—	3/8	10.20	10.40	16.40	16.80	2.25	2.75	2.30
—	3/8 SP	10.20	10.40	20.80	21.20	2.25	2.75	4.80
10	—	10.50	10.50	16.40	16.80	2.25	2.75	2.20
10 SP	—	10.50	10.50	20.80	21.20	2.25	2.75	4.70
11	7/16	11.20	11.60	18.30	18.70	2.25	2.75	2.90
12	—	12.80	13.20	19.30	19.70	2.25	2.75	2.90
12 SP	—	12.80	13.20	25.20	25.60	3.15	3.65	9.30
—	1/2	13.30	13.70	19.30	19.70	2.25	2.75	2.70
—	1/2 SP	13.30	13.70	25.20	25.60	3.15	3.65	9.00
14	9/16	15.00	15.40	22.80	23.20	3.15	3.65	5.60
14 SP	9/16 SP	15.00	15.40	30.50	30.90	3.15	3.65	14.10
16	5/8	16.80	17.20	25.20	25.60	3.15	3.65	6.70
16 SP	5/8 SP	16.80	17.20	30.50	30.90	3.15	3.65	12.80
18	—	19.30	19.70	28.80	29.20	3.15	3.65	8.90
18 SP	—	19.30	19.70	34.30	34.70	3.15	3.65	15.80
—	3/4	19.80	20.20	30.50	30.90	3.15	3.65	10.50
—	3/4 SP	19.80	20.20	38.80	39.20	3.15	3.65	22.10
20	—	21.20	21.60	30.50	30.90	3.15	3.65	9.30
20 SP	—	21.20	21.60	38.80	39.20	3.15	3.65	20.90
22	7/8	23.20	23.60	34.30	34.70	3.15	3.65	12.50
22 SP	7/8 SP	23.20	23.60	41.80	42.20	4.35	4.85	31.90
24	—	25.10	25.50	38.80	39.20	3.15	3.65	17.40
24 SP	—	25.10	25.50	48.30	48.70	4.35	4.85	45.10
—	1	27.70	28.10	38.70	39.30	3.15	3.65	15.30
—	1 SP	27.70	28.10	48.20	48.80	4.35	4.85	42.00



## Wedge lock washers DIN25201 双叠自锁垫圈DIN25201



For soew 米制 英寸制	d (min)	d (max)	o (min)	o (max)	h pair (min)	h pair (max)	Kg/1000 pieces (CABBON STEEL)	
27	—	28.20	28.60	41.70	42.30	5.55	6.05	31.40
27 SP	—	28.20	28.60	48.20	48.80	5.55	6.05	52.70
30	1-1/8.	31.20	31.60	46.70	47.30	5.55	6.05	41.00
30 SP	1-1/8 SP	31.20	31.60	58.20	58.80	6.10	6.60	85.00
33	1-1/4.	34.20	34.60	48.20	48.80	5.55	6.05	38.90
33 SP	1-1/4 SP	34.20	34.60	58.20	58.80	6.10	6.60	80.00
36	1-3/8.	37.20	37.60	54.70	55.30	5.55	6.05	54.90
36 SP	1-3/8 SP	37.20	37.60	62.70	63.30	6.10	6.60	91.50
39	—	40.20	40.60	58.20	58.80	5.55	6.05	58.90
42	—	43.00	43.40	62.70	63.30	5.55	6.05	79.70
45	—	46.20	46.70	68.00	70.00	6.25	7.75	102.00
48	—	49.60	50.10	73.00	75.00	6.25	7.75	120.00
52	—	53.60	54.10	78.00	80.00	6.25	7.75	130.00
56	—	59.10	59.60	83.00	85.00	6.25	7.75	135.00
60	—	63.10	63.60	88.00	90.00	6.25	7.75	152.00
64	—	67.10	67.60	93.00	95.00	6.25	7.75	167.00
68	—	71.10	71.60	98.00	100.00	8.75	10.25	282.00
72	—	75.10	75.60	103.00	105.00	8.75	10.25	307.00
76	—	40.20	79.60	108.00	110.00	8.75	10.25	333.00
80	—	43.00	83.60	113.00	115.00	8.75	10.25	360.00
85	—	40.20	88.60	118.00	120.00	8.75	10.25	378.00
90	—	43.00	92.90	128.00	130.00	8.75	10.25	477.00
95	—	40.20	97.90	133.00	135.00	8.75	10.25	498.00
100	—	43.00	103.90	143.00	145.00	8.75	10.25	585.00
105	—	40.20	108.90	148.00	150.00	8.75	10.25	613.00
110	—	43.00	113.90	153.00	155.00	8.75	10.25	635.00
115	—	118.40	118.90	163.00	165.00	8.75	10.25	753.00
120	—	123.40	123.90	168.00	170.00	8.75	10.25	779.60
125	—	128.40	128.90	171.00	173.00	8.75	10.25	766.00
130	—	133.40	133.90	176.00	178.00	8.75	10.25	792.00

\*SP=Plus large

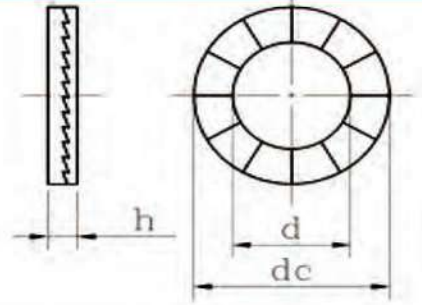
Material: 65mn /S60C /51CrVA/SK5 /60Si2Mn

Surface Treatment: Mechanical galvanizing /Dacromet /Geomet /Magni /Delta

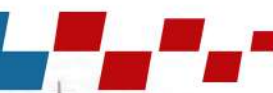


## Wedge lock washers DIN25201

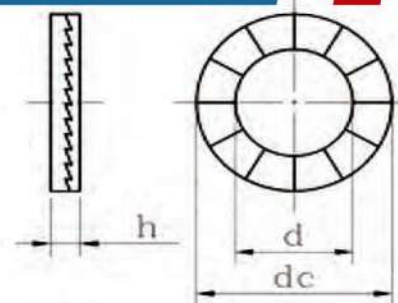
### 双叠自锁垫圈DIN25201



For soew 米制 英寸制		d (min)	d (max)	o (min)	o (max)	h pair (min)	h pair (max)	Kg/1000 pieces (CABBON STEEL)
3.00	#5	3.30	3.50	5.30	7.20	1.95	2.45	0.40
3.5	#6	3.80	4.00	7.40	7.80	1.95	2.45	0.40
3.5 SP	#6SP	3.80	4.00	8.80	9.20	1.95	2.45	0.70
4	#8	4.30	4.50	7.40	7.80	1.95	2.45	0.40
4 SP	#8	4.30	4.50	8.80	9.20	1.95	2.45	0.47
S	#10	5.30	5.50	8.80	9.20	1.90	2.45	0.60
5 SP	#10	5.30	5.50	10.60	11.00	1.95	2.45	1.10
6	—	6.40	6.60	10.60	11.00	1.95	2.45	0.90
6 SP	—	6.40	6.60	13.30	13.70	1.95	2.45	1.60
—	1/4	7.10	7.30	11.30	11.70	1.95	2.45	0.90
—	1/4SP	7.10	7.30	13.30	13.70	1.95	2.45	1.50
8	5/16	8.60	8.80	13.30	13.70	1.75	2.25	1.20
8 SP	5/16	8.60	8.80	16.40	16.80	1.75	2.25	2.30
—	3/8	10.20	10.40	16.40	16.80	1.75	2.25	1.90
—	3/8 SP	10.20	10.40	20.80	21.20	1.75	2.25	3.80
10	—	10.50	10.50	16.40	16.80	1.75	2.25	1.80
10 SP	—	10.50	10.50	20.80	21.20	1.75	2.25	3.70
11	7/16	11.20	11.60	18.30	18.70	1.95	2.45	2.60
12	—	12.80	13.20	19.30	19.70	1.75	2.25	2.30
12 SP	—	12.80	13.20	25.20	25.60	2.75	3.25	8.20
—	1/2	13.30	13.70	19.30	19.70	1.75	2.25	2.20
—	1/2 SP	13.30	13.70	25.20	25.60	2.95	3.45	8.00
14	9/16	15.00	15.40	22.80	23.20	2.75	3.25	4.90
14 SP	9/16 SP	15.00	15.40	30.50	30.90	2.95	3.45	13.10
16	5/8	16.80	17.20	25.20	25.60	2.75	3.25	5.90
16 SP	5/8 SP	16.80	17.20	30.50	30.90	2.95	3.45	11.30
18	—	19.30	19.70	28.80	29.20	2.95	3.45	8.00
18 SP	—	19.30	19.70	34.30	34.70	2.95	3.45	15.60
—	3/4	19.80	20.20	30.50	30.90	2.95	3.45	9.60
—	3/4 SP	19.80	20.20	38.80	39.20	2.95	3.45	21.00
20	—	21.20	21.60	30.50	30.90	2.75	3.25	8.20
20 SP	—	21.20	21.60	38.80	39.20	2.95	3.45	20.60
22	7/8	23.20	23.60	34.30	34.70	2.95	3.45	12.30
22 SP	7/8 SP	23.20	23.60	41.80	42.20	2.95	3.45	22.20
24	—	25.10	25.50	38.80	39.20	2.95	3.45	15.90
24 SP	—	25.10	25.50	48.30	48.70	2.95	3.45	35.00
—	1	27.70	28.10	38.70	39.30	2.70	3.20	14.20
—	1 SP	27.70	28.10	48.20	48.80	2.70	3.20	27.00



## Stainless steel Wedge lock washers 不锈钢双叠自锁垫圈DIN25201



For soew 米制 英寸制		d (min)	d (max)	o (min)	o (max)	h pair (min)	h pair (max)	Kg/1000 pieces (CABBON STEEL)
27	—	28.20	28.60	41.70	42.30	6.30	6.80	34.50
27	—	28.20	28.60	48.20	48.80	6.30	6.80	53.40
30	1- 1/8.	31.20	31.60	46.70	47.30	6.30	6.80	44.90
30	1- 1/8.	31.20	31.60	58.20	58.80	6.30	6.80	91.80
33	1- 1/4.	34.20	34.60	48.20	48.80	6.30	6.80	42.80
33	1- 1/4.	34.20	34.60	58.20	58.80	/	/	/
36	1- 3/8.	37.20	37.60	54.70	55.30	6.30	6.80	59.60
36	1- 3/8.	37.20	37.60	62.70	63.30	/	/	/
39	—	40.20	40.60	58.20	58.80	6.30	6.80	67.40
42	—	43.00	43.40	62.70	63.30	6.30	6.80	75.00
45	—	46.20	46.70	68.00	70.00	6.05	7.55	102.00
48	—	49.60	50.10	73.00	75.00	6.05	7.55	120.00
52	—	53.60	54.10	78.00	80.00	8.25	9.75	180.40
56	—	59.10	59.60	83.00	85.00	8.25	9.75	213.00
60	—	63.10	63.60	88.00	90.00	8.25	9.75	235.00
64	—	67.10	67.60	93.00	95.00	8.25	9.75	258.00
68	—	71.10	71.60	98.00	100.00	8.25	9.75	282.00
72	—	75.10	75.60	103.00	105.00	8.25	9.75	307.00
76	—	40.20	79.60	108.00	110.00	8.25	9.75	333.00
80	—	43.00	83.60	113.00	115.00	8.25	9.75	360.00
85	—	40.20	88.60	118.00	120.00	/	/	/
90	—	43.00	92.90	128.00	130.00	/	/	/
95	—	40.20	97.90	133.00	135.00	/	/	/
100	—	43.00	103.90	143.00	145.00	/	/	/
105	—	40.20	108.90	148.00	150.00	/	/	/
110	—	43.00	113.90	153.00	155.00	/	/	/
115	—	118.40	118.90	163.00	165.00	/	/	/
120	—	123.40	123.90	168.00	170.00	/	/	/
125	—	128.40	128.90	171.00	173.00	/	/	/
130	—	133.40	133.90	176.00	178.00	/	/	/

Material: Stainless steel SUS304 / 31s hardness HV300-500

