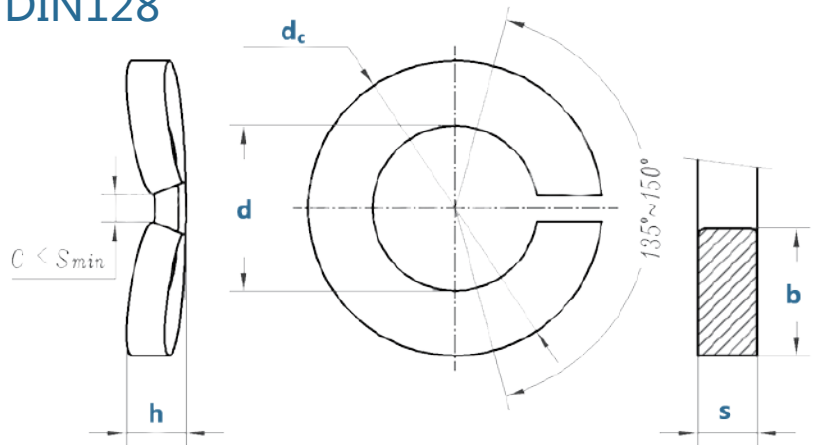


Curved Spring Lock Washer DIN128 鞍形弹簧垫圈DIN128



Size	d		dc	b			s			h		Weight kg
	min	max		baisc	max	min	baisc	max	min	min	max	
2	2.1	2.4	4.4	0.9	1	0.8	0.5	0.6	0.4	0.7	0.9	0.035
2.5	2.6	2.9	5.1	1	1.1	0.9	0.6	0.7	0.5	0.9	1.1	0.055
3	3.1	3.4	6.2	1.3	1.4	1.2	0.7	0.8	0.6	1.1	1.3	0.09
3.5	3.6	3.9	6.7	1.3	1.4	1.2	0.7	0.8	0.6	1.1	1.3	0.1
4	4.1	4.4	7.6	1.5	1.6	1.4	0.8	0.9	0.7	1.2	1.4	0.15
5	5.1	5.4	9.2	1.8	1.9	1.7	1	1.1	0.9	1.5	1.7	0.3
6	6.1	6.5	11.8	2.5	2.65	2.35	1.3	1.4	1.2	2	2.2	0.7
7	7.1	7.5	12.8	2.5	2.65	2.35	1.3	1.4	1.2	2	2.2	0.75
8	8.1	8.5	14.8	3	3.15	2.85	1.6	1.7	1.5	2.45	2.75	1.3
10	10.2	10.7	18.1	3.5	3.7	3.3	1.8	1.9	1.7	2.85	3.15	2.1
12	12.2	12.7	21.1	4	4.2	3.8	2.1	2.25	1.95	3.35	3.65	3.2
14	14.2	14.7	24.1	4.5	4.7	4.3	2.4	2.55	2.25	3.9	4.3	4.8
16	16.2	17	27.4	5	5.2	4.8	2.8	2.95	2.65	4.5	5.1	7
18	18.2	19	29.4	5	5.2	4.8	2.8	2.95	2.65	4.5	5.1	7.8
20	20.2	21.2	33.6	6	6.2	5.8	3.2	3.4	3	5.1	5.9	12.2
22	22.5	23.5	35.9	6	6.2	5.8	3.2	3.4	3	5.1	5.9	13.3
24	24.5	25.5	40	7	7.25	6.75	4	4.2	3.8	6.5	7.5	21.5
27	27.5	28.5	43	7	7.25	6.75	4	4.2	3.8	6.5	7.5	23.7
30	30.5	31.7	48.2	8	8.25	7.75	6	6.2	5.8	9.5	10.5	42.5
36	36.5	37.7	58.2	10	10.25	9.75	6	6.2	5.8	10.3	11.3	68