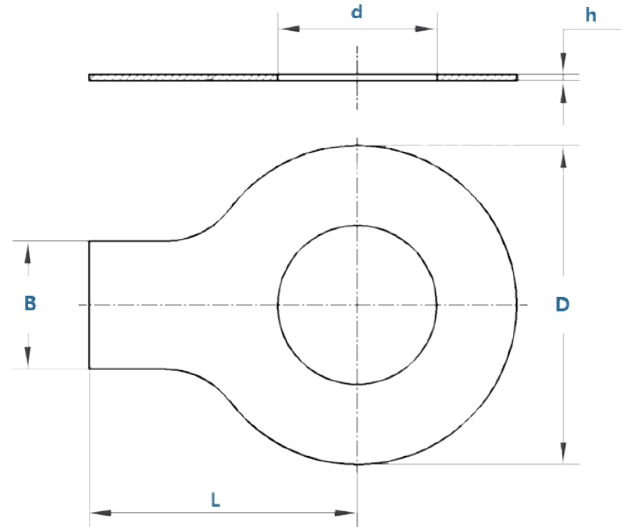


Long Tab Washers DIN93 单耳止动垫圈DIN93



Size	d	B	D	L	h	per 1000 units
M3	3.2	4	12	13	0.38	0.368
M3.5	3.7	4	12	13	0.38	0.356
M4	4.3	5	14	14	0.38	0.487
M5	5.3	6	17	16	0.5	1.05
M6	6.4	7	19	18	0.5	1.21
M7	7.4	7	19	18	0.5	1.17
M8	8.4	8	22	20	0.75	2.32
M10	10.5	10	26	22	0.75	3.13
M12	13	12	30	28	1	6
M14	15	12	33	28	1	7
M16	17	15	36	32	1	8.5
M18	19	18	40	36	1	11
M20	21	18	42	36	1	11
M22	23	20	50	42	1	14.8
M24	25	20	50	42	1	14.2
M27	28	23	58	48	1.6	31
M30	31	26	63	52	1.6	36.3
M33	34	28	68	56	1.6	42
M36	37	30	75	60	1.6	51.3
M39	40	32	82	64	1.6	59.7
M42	43	35	88	70	1.6	69.5
M45	46	38	95	75	1.6	81.2
M48	50	40	100	80	1.6	89
M52	54	44	105	85	1.6	98