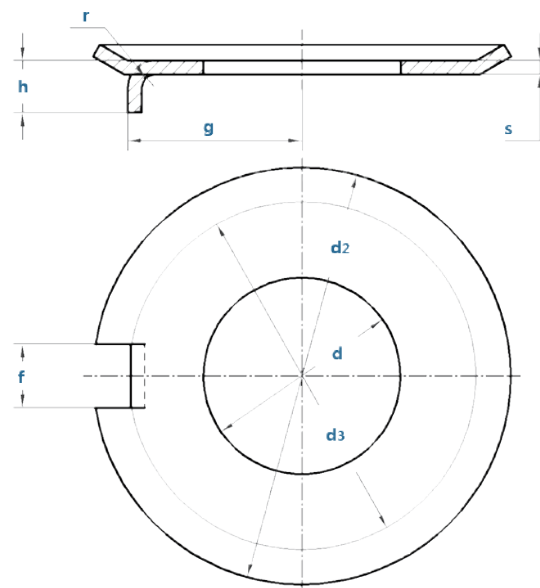


Single External Tab Washer DIN432 外舌止动垫圈DIN432



Size	d	d2	d3	g	s	f	h	r	per 1000 units
M3	3.2	12	8	4.5	0.4	2.5	2	0.4	0.33
M3.5	3.7	12	8	4.5	0.4	2.5	2	0.4	0.32
M4	4.3	14	10	5.5	0.4	2.5	2	0.4	0.44
M5	5.3	17	12	7	0.75	3.5	2.5	0.6	1.2
M6	6.4	19	14	7.5	0.75	3.5	3	0.6	1.48
M7	7.4	19	14	7.5	0.75	3.5	3	0.6	1.42
M8	8.4	22	16	8.5	1	3.5	4	1	2.54
M10	10.5	26	20	10	1	4.5	4	1	3.49
M12	13	30	24	12	1.2	4.5	4.5	1	5.48
M14	15	33	27	13	1.2	4.5	4.5	1	6.38
M16	17	36	30	15	1.2	5.5	4.5	1	7.45
M18	19	40	34	18	1.2	6.5	4.5	1	9.15
M20	21	42	36	18	1.6	6.5	4.5	1	13.1
M22	23	50	43	20	1.6	7.5	6.5	1	19.4
M24	25	50	43	21	1.6	7.5	6.5	1	18.5
M27	28	58	50	23	1.6	8.5	9.5		24.8
M30	31	63	55	25	1.6	8.5	9.5	1	29.8
M33	34	68	60	28	1.6	9.5	9.5	1	34.2
M36	37	75	67	31	2	11	9.5	1	52.5
M39	40	82	74	33	2	11	11	1	63.3
M42	43	88	80	36	2	11	11	1	72.5
M45	46	95	85	38	2	13	12	1	85.3
M48	50	100	90	40	2	13	13	1	93
M52	54	105	95	42	2	13	13	1	100
M56	58	112	102	45	2.5	16	14	1.6	141
M60	62	118	108	48	2.5	16	13.5	1.6	155
M64	66	125	115	52	2.5	18	13.5	1.6	174
M68	70	132	122	55	2.5	18	14	1.6	192
M72	74	138	128	58	2.5	18	14	1.6	209
M76	78	145	135	60	2.5	21	14	1.6	230
M80	82	150	140	62	2.5	21	16	1.6	242
M90	93	165	155	70	2.5	23	15.5	1.6	287
M100	104	185	175	80	2.5	23	15.5	1.6	370