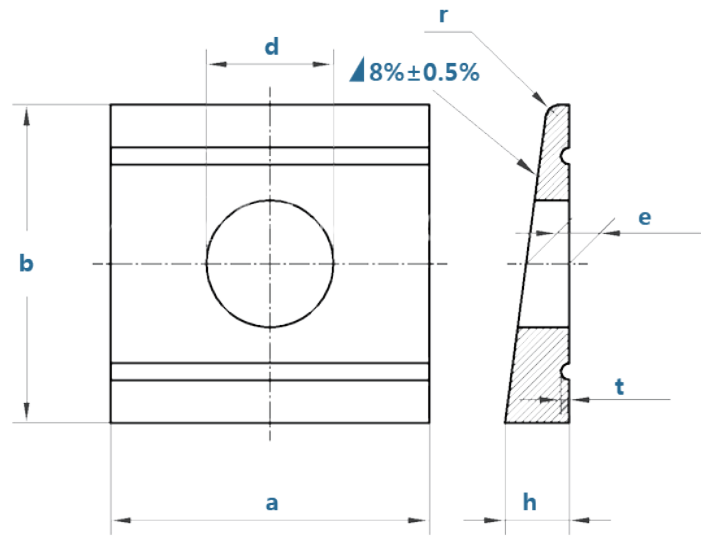


Square Taper Washers for U-Sections DIN434

槽钢用方垫圈DIN434



Size	d		a			b			e	h			r	t	per 1000 units
	min	max	basic	min	max	basic	min	max	ref	basic	min	max	≈	≈	kg
M8	9	9.36	22	20	24	22	21.35	22.65	2.9	3.8	3.2	4.4	1.6	0.5	9.57
M10	11	11.43	22	20	24	22	21.35	22.65	2.9	3.8	3.2	4.4	1.6	0.5	8.85
M12	13.5	13.93	26	24	28	30	29.35	30.65	3.7	4.9	3.9	5.9	2	0.7	18.2
M16	17.5	17.93	32	29.5	34.5	36	35.2	36.8	4.45	5.9	4.9	6.9	2.4	0.8	31.4
M20	22	22.52	40	37.5	42.5	44	43.2	44.8	5.25	7	6	8	2.8	0.9	56.9
M22	24	24.52	44	41.5	46.5	50	49.2	50.8	6	8	7	9	3.2	1	82.3
M24	26	26.52	56	53	59	56	55.05	56.95	6.26	8.5	7.3	9.7	3.2	1	128
M27	30	30.52	56	53	59	56	55.05	56.95	6.26	8.5	7.3	9.7	3.2	1	119