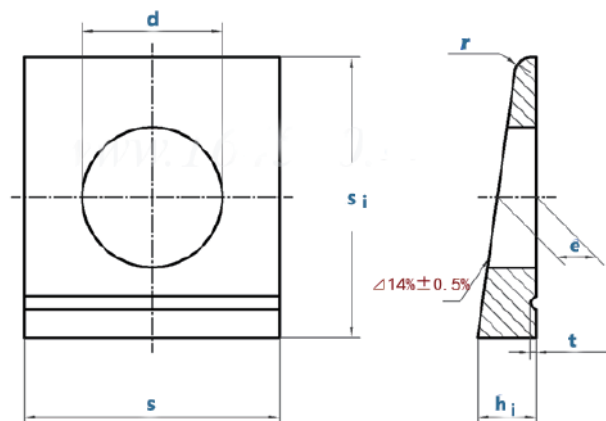


Square Taper Washers for I-Sections DIN435

I型工字钢用方斜垫圈DIN435



Size	d		a		b			e	h			r	t	per 1000 units	
	min	max	basic	min	max	basic	min		max	Ref	basic				min
M8	9	9.36	22	20	24	22	21.35	22.65	3.05	4.6	3.6	5.6	1.2	0.5	10.2
M10	11	11.43	22	20	24	22	21.35	22.65	3.05	4.6	3.6	5.6	1.2	0.5	9.4
M12	13.5	13.93	26	24	28	30	29.35	30.65	4.1	6.2	5	7.4	1.6	0.7	20.1
M16	17.5	17.93	32	29.5	34.5	36	35.2	36.8	5	7.5	6.3	8.7	2	0.8	35.6
M20	22	22.52	40	37.5	42.5	44	43.2	44.8	6.1	9.2	8	10.4	2.4	0.9	67
M22	24	24.52	44	41.5	46.5	50	49.2	50.8	6.5	10	8.8	11.2	2.4	1	90
M24	26	26.52	56	53	59	56	55.05	56.95	6.9	10.8	9.3	12.3	2.4	1	143
M27	30	30.52	56	53	59	56	55.05	56.95	6.9	10.8	9.3	12.3	2.4	1	133