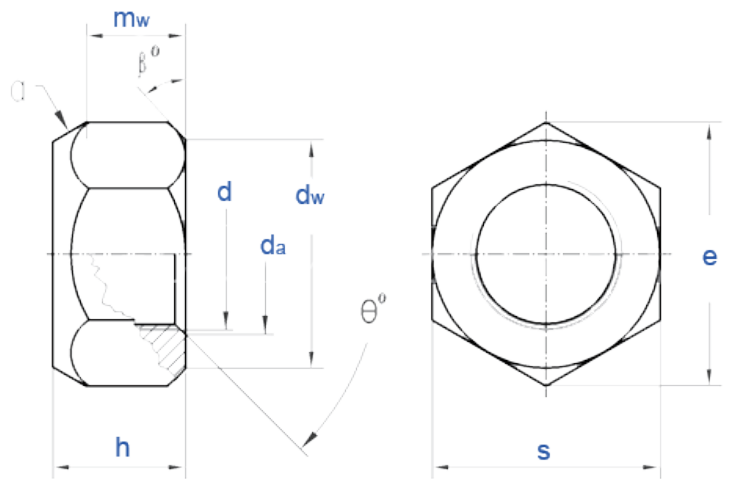


DIN980V

全金属锁紧螺母(V)型DIN980V



a : Prevailing torque element, shape optional.

θ : $90^\circ \sim 120^\circ$

β : $15^\circ \sim 30^\circ$

Thread Size	P			da		dw	e	h			mw	s	
	Coarse thread	Fine thread-1	Fine thread-2	min	max	min	min	max	min	min	max	min	
M3	0.5	/	/	3	3.45	4.6	6.01	3.7	3.4	1.65	5.5	5.32	
M4	0.7	/	/	4	4.6	5.9	7.66	4.2	3.9	2.2	7	6.78	
M5	0.8	/	/	5	5.75	6.9	8.79	5.1	4.8	2.75	8	7.78	
M6	1	/	/	6	6.75	8.9	11.05	6	5.7	3.3	10	9.78	
M7	1	/	/	7	7.75	9.6	12.12	7	6.5	3.85	11	10.73	
M8	1.25	1	/	8	8.75	11.6	14.38	8	7.5	4.4	13	12.73	
M10	1.5	1	1.25	10	10.8	15.6	18.9	10	9	5.5	17	16.73	
M12	1.75	1.5	1.25	12	13	17.4	21.1	12	11	6.6	19	18.67	
M14	2	1.5	/	14	15.1	20.5	24.49	14	12	7.7	22	21.67	
M16	2	1.5	/	16	17.3	22.5	26.75	16	14	8.8	24	23.67	
M18	2.5	2	1.5	18	19.5	24.9	29.56	18	16	9.9	27	26.16	
M20	2.5	2	1.5	20	21.6	27.7	32.95	20	18	11	30	29.16	
M22	2.5	2	1.5	22	23.7	29.5	35.03	22	20	12.2	32	31	
M24	3	2	/	24	25.9	33.2	39.55	24	22	13.2	36	35	
M27	3	2	/	27	29.1	38	45.2	27	25	14.8	41	40	
M30	3.5	2	/	30	32.4	42.7	50.85	30	28	16.5	46	45	
M33	3.5	2	/	33	35.6	46.6	55.37	33	31	18.2	50	49	
M36	4	3	/	36	38.9	51.1	60.79	36	34	19.8	55	53.8	
M39	4	3	/	39	42.1	55.9	66.44	39	37	21.5	60	58.8	