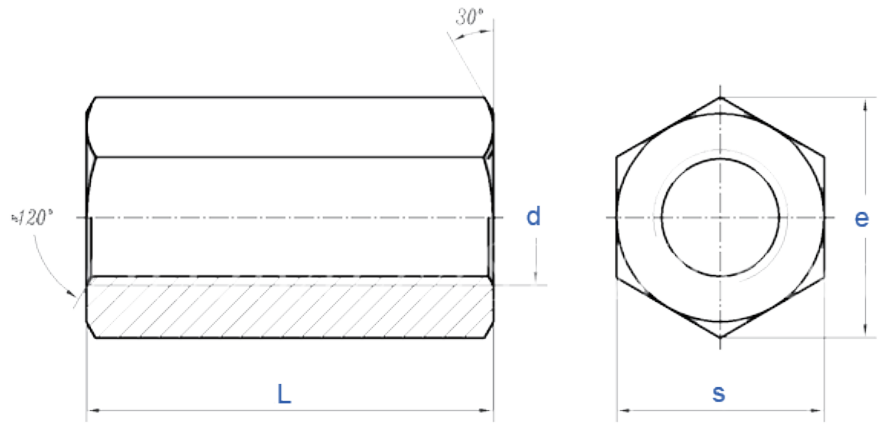


# DIN6334

## 六角长螺母DIN6334



Thread Size	P	s	L	e	weight
M6	1	10	18	11.05	7
M8	1.25	13	24	14.38	18
M10	1.5	17	30	18.9	42
M12	1.75	19	36	21.1	63
M14	2	22	42	24.49	95.5
M16	2	24	48	26.75	122
M18	2.5	27	54	29.56	140
M20	2.5	30	60	33.53	240
M22	2.5	32	66	35.03	300
M24	3	36	72	39.98	412
M27	3	41	81	45.2	608
M30	3.5	46	90	50.85	825
M33	3.5	50	99	55.37	1100
M36	4	55	108	60.79	1470