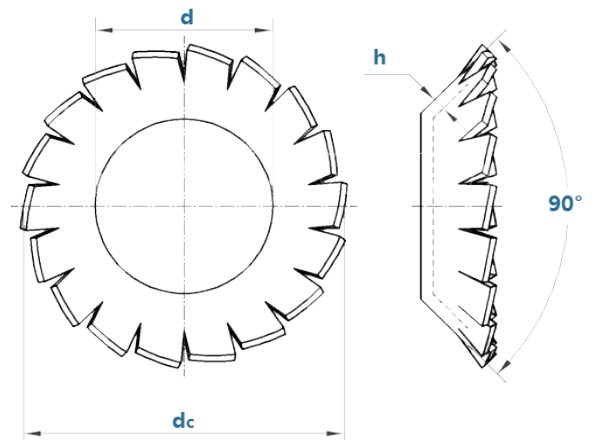


Countersunk Serrated Lock Washer DIN6798V

锥形锁紧垫圈DIN6798V



Size	d		dc	t	Number of Teeth	weight	For Thread
	min	max					
2	2.2	2.34	4.2	0.2	10	0.025	M2
2.7	2.7	2.84	5.1	0.2	10	0.03	M2.5
3.2	3.2	3.38	6	0.2	12	0.04	M3
3.7	3.7	3.88	7	0.25	12	0.075	M3.5
4.3	4.3	4.48	8	0.25	14	0.1	M4
5.3	5.3	5.48	9.8	0.3	14	0.2	M5
6.4	6.4	6.62	11.8	0.4	16	0.3	M6
8.4	8.4	8.62	15.3	0.4	18	0.5	M8
10.5	10.5	10.77	19	0.5	20	1	M10
13	13	13.27	23	0.5	26	1.5	M12
15	15	15.27	26.2	0.6	28	1.9	M14
17	17	17.27	30.2	0.6	30	2.3	M16