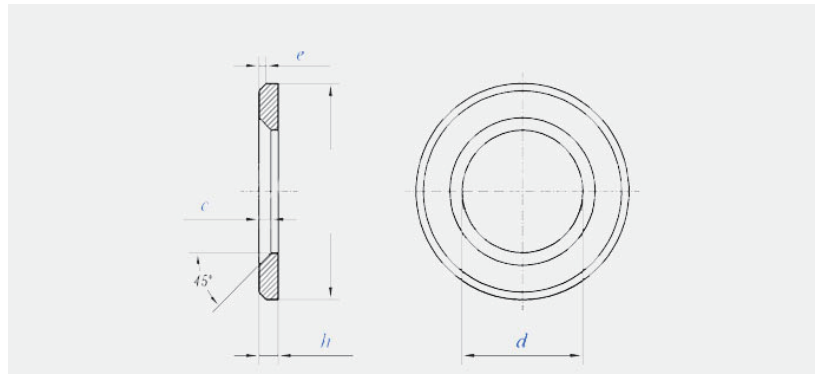


DIN 6916 Structural Washer 钢结构圆垫圈DIN6916



Size	d		dc		h			c		e
	Min	Max	Max	Min	Baisc	Max	Min	Min	Max	≈
M12	13	13.27	24	23.48	3	3.3	2.7	1.6	1.9	0.5
M16	17	17.27	30	29.48	4	4.3	3.7	1.6	1.9	1
M20	21	21.33	37	36.38	4	4.3	3.7	2	2.5	1
M22	23	23.33	39	38.38	4	4.3	3.7	2	2.5	1
M24	25	25.33	44	43.38	4	4.3	3.7	2	2.5	1
M27	28	28.52	50	49	5	5.6	4.4	2.5	3	1
M30	31	31.62	56	54.8	5	5.6	4.4	2.5	3	1
M36	37	37.62	66	64.8	6	6.6	5.4	3	3.5	1.5