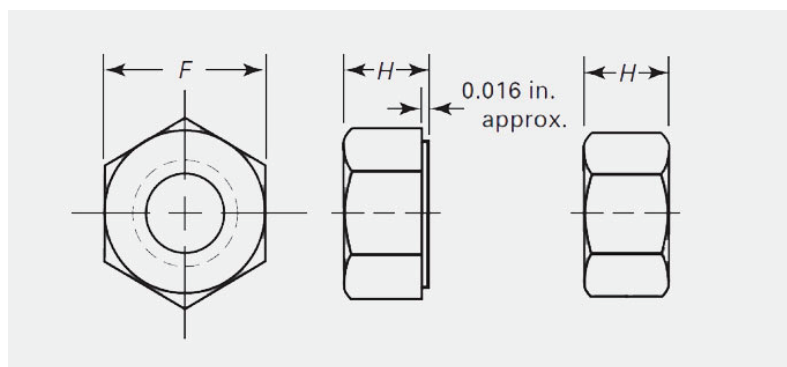


## Finished Hex Nut 精制六角螺母



Thread Size	F		H	
	max	min	max	min
pitch				
1/4	0.438	0.428	0.226	0.212
5/16	0.5	0.489	0.273	0.258
3/8	0.563	0.551	0.337	0.32
7/16	0.688	0.675	0.385	0.365
1/2	0.75	0.736	0.448	0.427
9/16	0.875	0.861	0.496	0.473
5/8	0.938	0.922	0.559	0.535
3/4	1.215	1.088	0.665	0.617
7/8	1.312	1.269	0.776	0.724
1	1.500	1.45	0.887	0.831
1 1/8	1.688	1.631	0.999	0.939
1 1/4	1.875	1.812	1.094	1.03
1 3/8	2.062	1.994	1.206	1.138
1 1/2	2.25	2.175	1.317	1.245
1 5/8	2.43	2.35	1.416	1.364
1 3/4	2.625	2.538	1.54	1.46
1 7/8	2.813	2.722	1.651	1.567
2	3	2.9	1.763	1.675
2 1/4	3.375	3.263	1.986	1.89
2 1/2	3.75	3.625	2.209	2.105
2 3/4	4.125	3.988	2.431	2.319
3	4.5	4.35	2.654	2.534