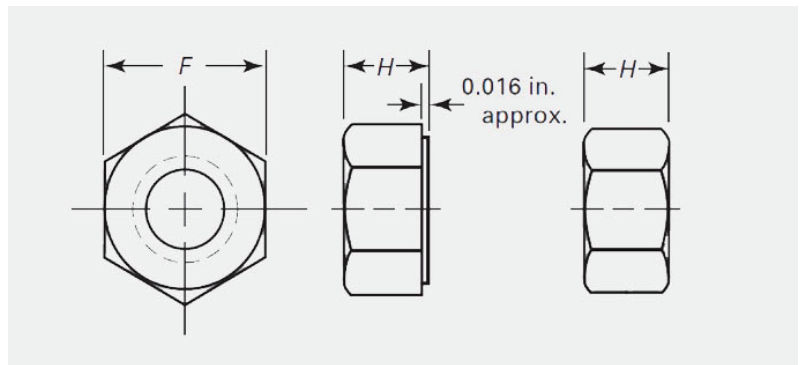


Heavy Hex Nut 重型六角螺母



Thread Size	F		H	
	max	min	max	min
pitch				
1/4	0.5	0.488	0.25	0.218
5/16	0.562	0.546	0.314	0.28
3/8	0.688	0.669	0.377	0.341
7/16	0.75	0.728	0.441	0.403
1/2	0.875	0.85	0.504	0.464
9/16	0.938	0.909	0.568	0.526
5/8	1.062	1.031	0.631	0.587
3/4	1.25	1.212	0.758	0.71
7/8	1.438	1.394	0.885	0.833
1	1.625	1.575	1.012	0.956
1 1/8	1.812	1.756	1.139	1.079
1 1/4	2	1.938	1.251	1.187
1 3/8	2.188	2.119	1.378	1.31
1 1/2	2.375	2.3	1.505	1.433
1 5/8	2.562	2.481	1.632	1.556
1 3/4	2.75	2.662	1.759	1.679
1 7/8	2.938	2.844	1.886	1.802
2	3.125	3.025	2.013	1.925
2 1/4	3.5	3.388	2.251	2.155
2 1/2	3.875	3.75	2.505	2.401
2 3/4	4.25	4.112	2.759	2.647
3	4.625	4.475	3.013	2.893
3 1/4	5	4.838	3.252	3.124
3 1/2	5.375	5.2	3.506	3.37
3 3/4	5.75	5.562	3.76	3.616
4	6.125	5.925	4.014	3.862
4 1/2	6.875	6.65	4.522	4.354
5	7.625	7.375	5.03	4.846