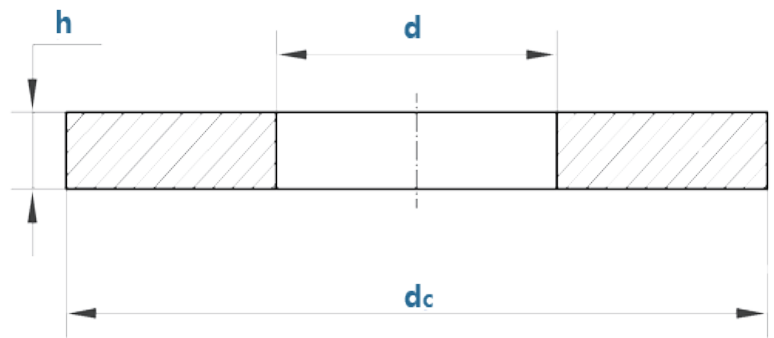


Metric Plain Washers BS4320B
公制平垫圈 BS4320B



Size	d			dc			h		
	pitch	Max	Min	pitch	max	min	pitch	max	min
M6	6.4	6.7	6.4	12.5	12.5	12.1	0.8	0.9	0.7
(M7)	7.4	7.7	7.4	14	14	13.6	0.8	0.9	0.7
M8	8.4	8.7	8.4	17	17	16.6	1	1.1	0.9
M10	10.5	10.9	10.5	21	21	20.5	1.25	1.45	1.05
M12	13	13.4	13	24	24	23.5	1.6	1.8	1.4
(M14)	15	15.4	15	28	28	27.5	1.6	1.8	1.4
M16	17	17.4	17	30	30	29.5	2	2.2	1.8
(M18)	19	19.5	19	34	34	33.2	2	2.2	1.8
M20	21	21.5	21	37	37	36.2	2	2.2	1.8
(M22)	23	23.5	23	39	39	38.2	2	2.2	1.8
M24	25	25.5	25	44	44	43.2	2.5	2.7	2.3
(M27)	28	28.5	28	50	50	49.2	2.5	2.7	2.3
M30	31	31.6	31	56	56	55	2.5	2.7	2.3
(M33)	34	34.6	34	60	60	59	3	3.3	2.7
M36	37	37.6	37	66	66	65	3	3.3	2.7
(M39)	40	40.6	40	72	72	71	3	3.3	2.7